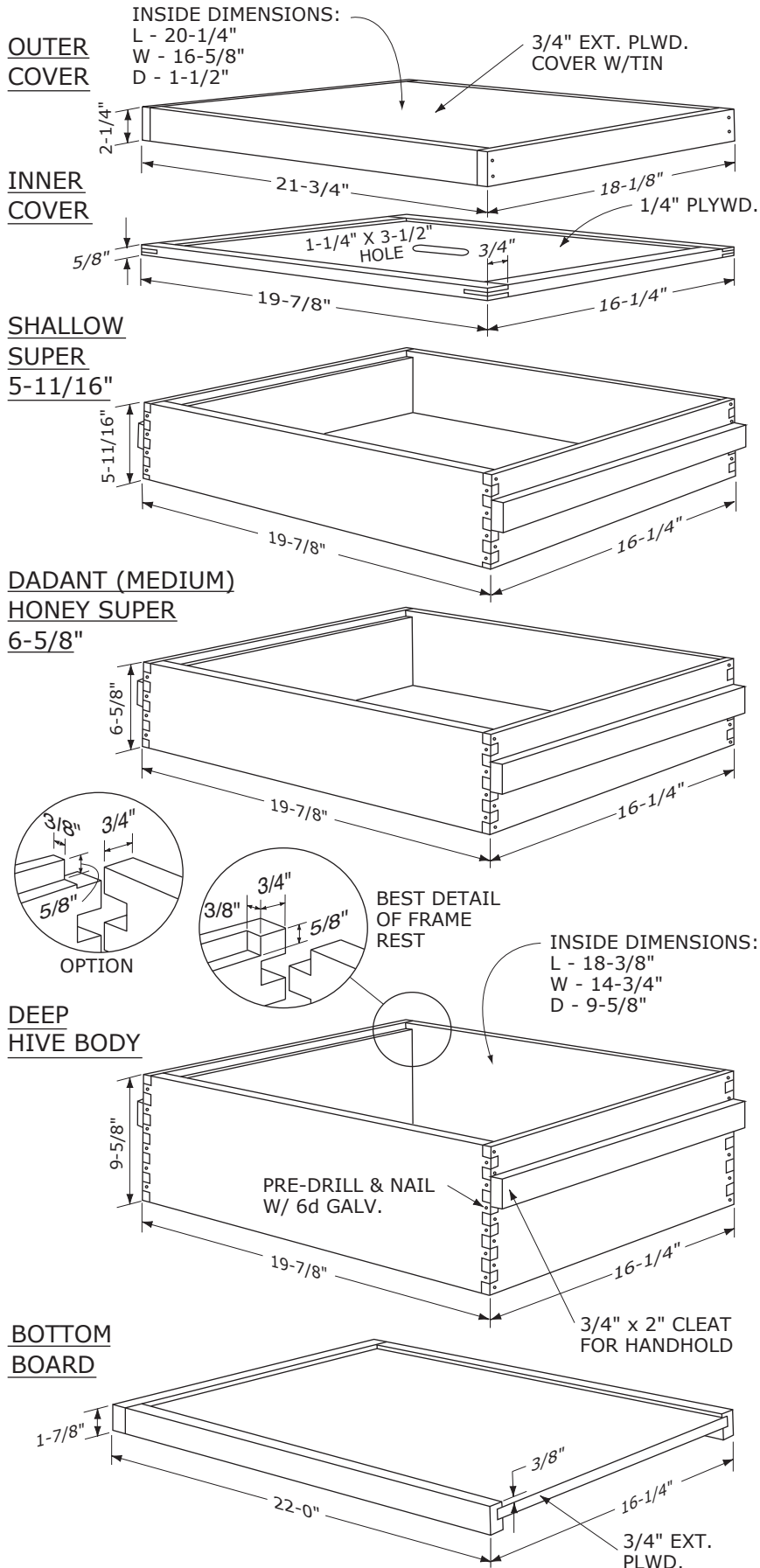


10-FRAME LANGSTROTH BEEHIVE

CONSTRUCTION DETAILS FOR 3/4" THICK LUMBER



The species of wood used to make a beehive can vary depending upon what is available in your area. The minimum thickness should not be less than 3/4". If you are using standard dimensional lumber, you can use 1x8 (3/4" x 7-1/4") for both shallow and medium super, and 1x12 (3/4" x 11-1/4") for the deep hive body.

Start by cutting the boards to length. For fronts and backs, cut them a smidgen over 16-1/4". For sides, cut a smidgen over 19-7/8". At this point, follow the steps described on how to make a box joint from the PDF 'Box Joint' files.

Now that you have the joint cut and the boards cut to finished size, cut the 5/8" x 3/8" rabbet on the 16-1/4" boards stopping just short of the box joint pin at each end. (Chisel these square after the boards are assembled). Note detail of frame rest at left. Pre-drill holes for nails in each pin.

Assemble boxes with glue and nail each pin with a 6d galv. nail. Attach 1x2 handholds with screws and glue. Attach metal rabbets on the frame rest notch. Prime and paint.